



STAINLESS STEEL WORKTABLES TF-SERIES— FLAT TOP WORKTABLE W/ UNDERSHELF

PROJECT#: _____

ITEM# _____

MODEL# _____

SPECIFICATIONS:

ECONOMY— ETF1-Series: 400 Series Stainless Top & 400 Series Stainless Undershelf

TOP: 16 GA.
400 Series Stainless

SHELF: 18 GA.
400 Series Stainless

LEGS: 1 5/8" Diameter
Tubular Stainless Steel

REINFORCING: Formed Channel Fastened to
Top. Legs Welded to Channel

STANDARD— STF1-Series: 300 Series Stainless Top & 300 Series Stainless Undershelf

TOP: 16 GA.
300 Series Stainless

SHELF: 18 GA.
300 Series Stainless

LEGS: 1 5/8" Diameter
Tubular Stainless Steel

REINFORCING: Formed Channel Fastened to
Top. Legs Welded to Channel

HEAVY DUTY— HTF1-Series: 300 Series Stainless Top & 300 Series Stainless Undershelf

TOP: 14 GA.
300 Series Stainless

SHELF: 16 GA.
300 Series Stainless

LEGS: 1 5/8" Diameter
Tubular Stainless Steel

REINFORCING: Formed Channel Fastened to
Top. Legs Welded to Channel

CONSTRUCTION:

- ◆ All Table Connection Points Fully Welded for Maximum Rigidity and Long Life
- ◆ S/S Adjustable Bullet Feet
- ◆ Sound Deadening Between Top and Reinforcing Channel
- ◆ S/S Undershelf Welded to Legs
- ◆ Table is Polished to #3 Finish
- ◆ Working Height 35" to 36 1/4"



○ Amtekco Industries - Columbus, OH —Phone: (800) 336-4677

○ N. Wasserstrom & Sons - Columbus, OH —Phone: (800) 444-4697

○ DCS IV - Peoria, AZ—Phone: (800) 592-3274

○ GEN III - Fountain Inn, SC—Phone: (800)673-3339

○ GKS - Garland, TX—Phone (972) 485-4579

SPECIFICATIONS SUBJECT TO CHANGE WITHOUT NOTICE 01/09

ECONOMY - ETF - SERIES						
24" WIDE	QTY	30" WIDE	QTY	36" WIDE	QTY	LENGTH (INCHES)
ETF-2424		ETF-3024		ETF-3624		24
ETF-2430		ETF-3030		ETF-3630		30
ETF-2436		ETF-3036		ETF-3636		36
ETF-2442		ETF-3042		ETF-3642		42
ETF-2448		ETF-3048		ETF-3648		48
ETF-2454		ETF-3054		ETF-3654		54
ETF-2460		ETF-3060		ETF-3660		60
ETF-2466		ETF-3066		ETF-3666		66
ETF-2472		ETF-3072		ETF-3672		72
ETF-2478		ETF-3078		ETF-3678		78
ETF-2484		ETF-3084		ETF-3684		84
ETF-2490		ETF-3090		ETF-3690		90
ETF-2496		ETF-3096		ETF-3696		96
ETF-24102		ETF-30102		ETF-36102		102
ETF-24108		ETF-30108		ETF-36108		108
ETF-24114		ETF-30114		ETF-36114		114
ETF-24120		ETF-30120		ETF-36120		120

STANDARD - STF - SERIES						
24" WIDE	QTY	30" WIDE	QTY	36" WIDE	QTY	LENGTH (INCHES)
STF-2424		STF-3024		STF-3624		24
STF-2430		STF-3030		STF-3630		30
STF-2436		STF-3036		STF-3636		36
STF-2442		STF-3042		STF-3642		42
STF-2448		STF-3048		STF-3648		48
STF-2454		STF-3054		STF-3654		54
STF-2460		STF-3060		STF-3660		60
STF-2466		STF-3066		STF-3666		66
STF-2472		STF-3072		STF-3672		72
STF-2478		STF-3078		STF-3678		78
STF-2484		STF-3084		STF-3684		84
STF-2490		STF-3090		STF-3690		90
STF-2496		STF-3096		STF-3696		96
STF-24102		STF-30102		STF-36102		102
STF-24108		STF-30108		STF-36108		108
STF-24114		STF-30114		STF-36114		114
STF-24120		STF-30120		STF-36120		120

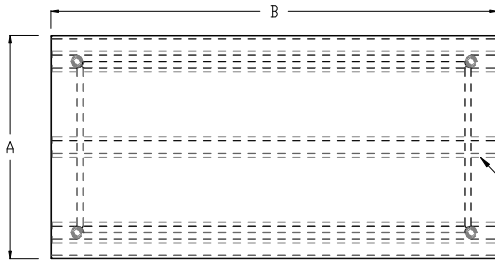
HEAVY DUTY - HTF - SERIES						
24" WIDE	QTY	30" WIDE	QTY	36" WIDE	QTY	LENGTH (INCHES)
HTF-2424		HTF-3024		HTF-3624		24
HTF-2430		HTF-3030		HTF-3630		30
HTF-2436		HTF-3036		HTF-3636		36
HTF-2442		HTF-3042		HTF-3642		42
HTF-2448		HTF-3048		HTF-3648		48
HTF-2454		HTF-3054		HTF-3654		54
HTF-2460		HTF-3060		HTF-3660		60
HTF-2466		HTF-3066		HTF-3666		66
HTF-2472		HTF-3072		HTF-3672		72
HTF-2478		HTF-3078		HTF-3678		78
HTF-2484		HTF-3084		HTF-3684		84
HTF-2490		HTF-3090		HTF-3690		90
HTF-2496		HTF-3096		HTF-3696		96
HTF-24102		HTF-30102		HTF-36102		102
HTF-24108		HTF-30108		HTF-36108		108
HTF-24114		HTF-30114		HTF-36114		114
HTF-24120		HTF-30120		HTF-36120		120

STAINLESS STEEL WORKTABLES TF-SERIES— FLAT TOP WORKTABLE W/ UNDERSHELF

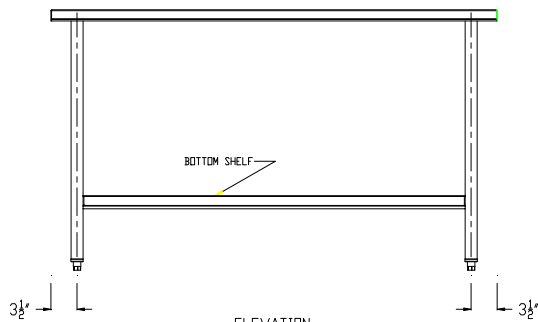
PROJECT#: _____

ITEM# _____

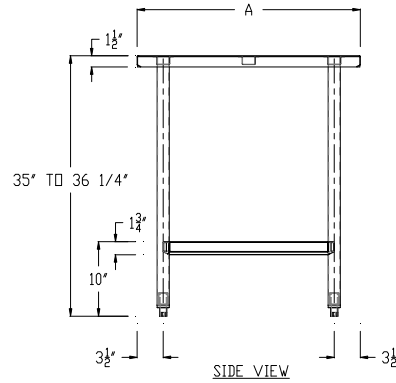
MODEL# _____



PLAN VIEW



ELEVATION



SIDE VIEW



- ◆ 35" Working Height is with Adj. Bullet Feet in Shortest Position
- ◆ Tables At or Above 78" Will Require (3) Sets of Legs.

A WIDTH	B LENGTH	ETF - SERIES 16 GA. 400 SERIES S/S TOP & 18 GA. 400 SERIES S/S UNDERSHELF	STF - SERIES 16 GA. 300 SERIES S/S TOP & 18 GA. 300 SERIES S/S UNDERSHELF	HTF - SERIES 14 GA. 300 SERIES S/S TOP & 16 GA. 300 SERIES S/S UNDERSHELF	#Of Legs	Product Weight (lbs)
24" WIDE						
24	24	ETF-2424	STF-2424	HTF-2424	4	42
24	30	ETF-2430	STF-2430	HTF-2430	4	45
24	36	ETF-2436	STF-2436	HTF-2436	4	50
24	48	ETF-2448	STF-2448	HTF-2448	4	61
24	60	ETF-2460	STF-2460	HTF-2460	4	71
24	72	ETF-2472	STF-2472	HTF-2472	4	82
24	84	ETF-2484	STF-2484	HTF-2484	6	94
24	96	ETF-2496	STF-2496	HTF-2496	6	114
24	108	ETF-24108	STF-24108	HTF-24108	6	131
24	120	ETF-24120	STF-24120	HTF-24120	6	148
30" WIDE						
30	24	ETF-3024	STF-3024	HTF-3024	4	45
30	30	ETF-3030	STF-3030	HTF-3030	4	49
30	36	ETF-3036	STF-3036	HTF-3036	4	52
30	48	ETF-3048	STF-3048	HTF-3048	4	68
30	60	ETF-3060	STF-3060	HTF-3060	4	79
30	72	ETF-3072	STF-3072	HTF-3072	4	92
30	84	ETF-3084	STF-3084	HTF-3084	6	105
30	96	ETF-3096	STF-3096	HTF-3096	6	126
30	108	ETF-30108	STF-30108	HTF-30108	6	146
30	120	ETF-30120	STF-30120	HTF-30120	6	165
36" WIDE						
36	24	ETF-3624	STF-3624	HTF-3624	4	47
36	30	ETF-3630	STF-3630	HTF-3630	4	55
36	36	ETF-3636	STF-3636	HTF-3636	4	64
36	48	ETF-3648	STF-3648	HTF-3648	4	75
36	60	ETF-3660	STF-3660	HTF-3660	4	88
36	72	ETF-3672	STF-3672	HTF-3672	4	104
36	84	ETF-3684	STF-3684	HTF-3684	6	120
36	96	ETF-3696	STF-3696	HTF-3696	6	139
36	108	ETF-36108	STF-36108	HTF-36108	6	164
36	120	ETF-36120	STF-36120	HTF-36120	6	188